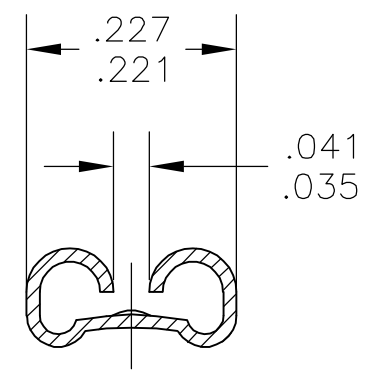
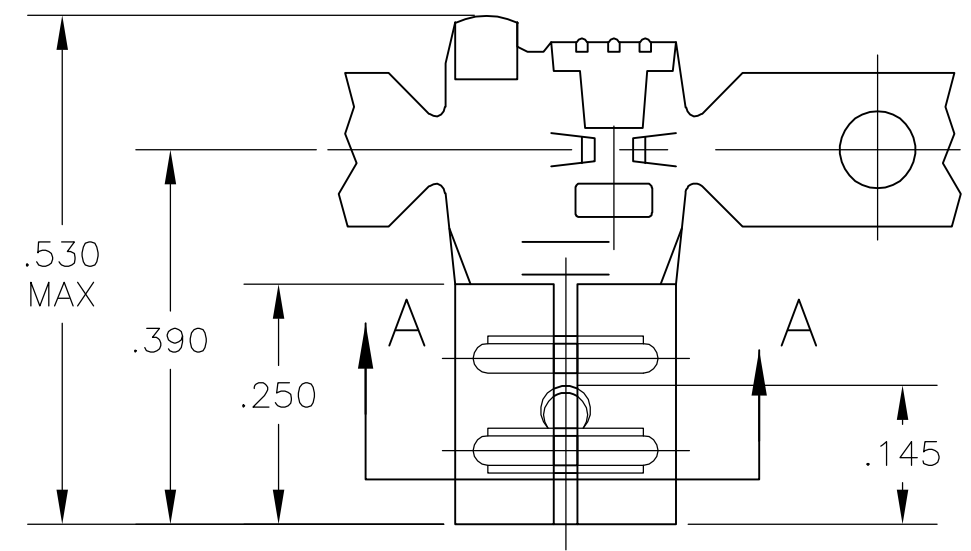


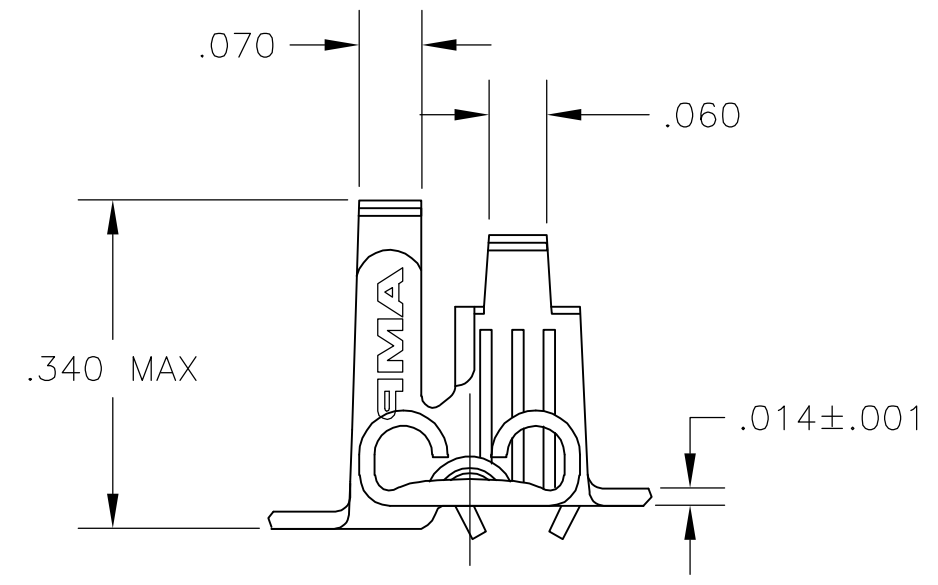
THIS DRAWING IS UNPUBLISHED. RELEASED FOR PUBLICATION
 © COPYRIGHT - BY TYCO ELECTRONICS CORPORATION. ALL RIGHTS RESERVED.

LOC	DIST	REVISIONS					
AF	14	P	LTR	DESCRIPTION	DATE	DWN	APVD
		A1		REV PER ECR-06-013281	07JUN06	HMR	PD

- 1 CONTINUOUS STRIP ON REELS
- 2 WIRE SIZE IS #18-#14 AWG OR #2-#18
- 3 INSULATION RANGE IS .110-.190 DIA
- 4 MATING TAB THK IS .032±.001



SECTION A-A



1742422-1

PART NO

THIS DRAWING IS A CONTROLLED DOCUMENT.		DWN jr_ruth 29MAR06	Tyco Electronics Corporation Harrisburg, PA 17105-3608			
DIMENSIONS: INCHES		CHK P DESANTIS 29MAR06				
		TOLERANCES UNLESS OTHERWISE SPECIFIED:		RECEPTACLE, FASTON, FLAG, .187 SERIES		
0 PLC ± - 1 PLC ± - 2 PLC ± - 3 PLC ± .005 4 PLC ± - ANGLES ± 5°		PRODUCT SPEC		APPLICATION SPEC		
MATERIAL 4M BRASS		FINISH .000080 MIN TIN		114-2078		
		WEIGHT		-		
CUSTOMER DRAWING			SIZE A3	CAGE CODE 00779	DRAWING NO C-1742422	
			SCALE 5:1	SHEET 1 OF 1	RESTRICTED TO - REV A1	